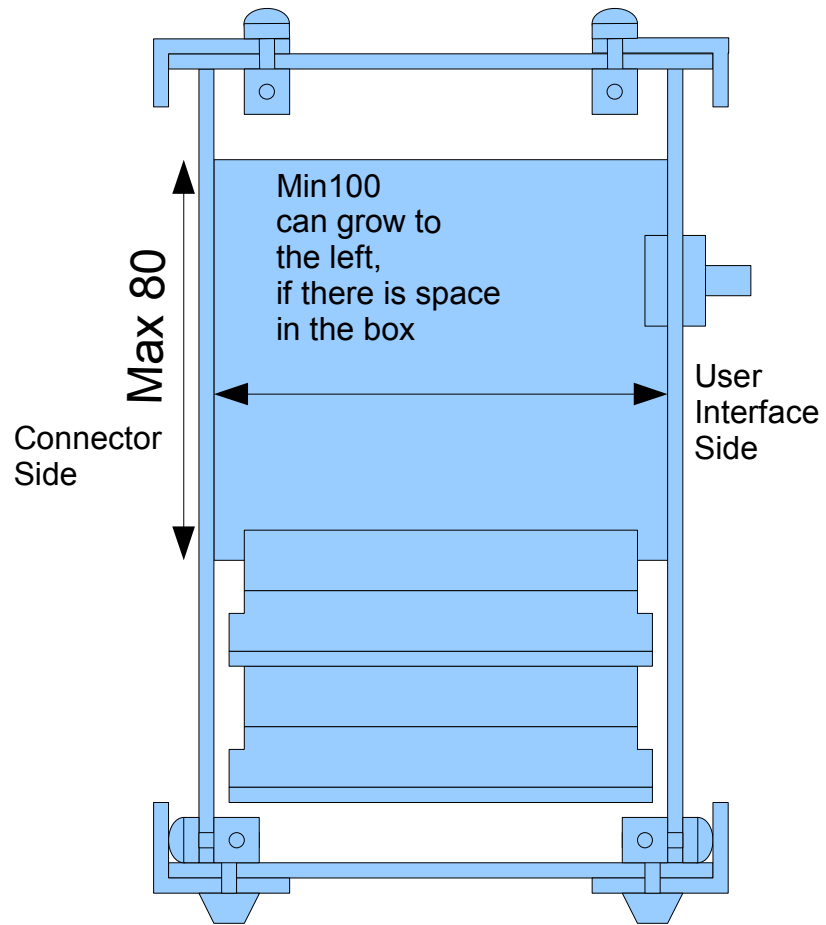
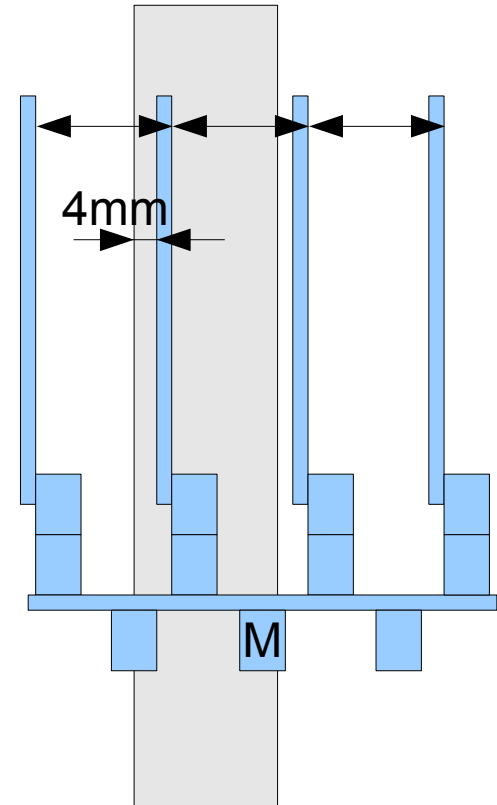
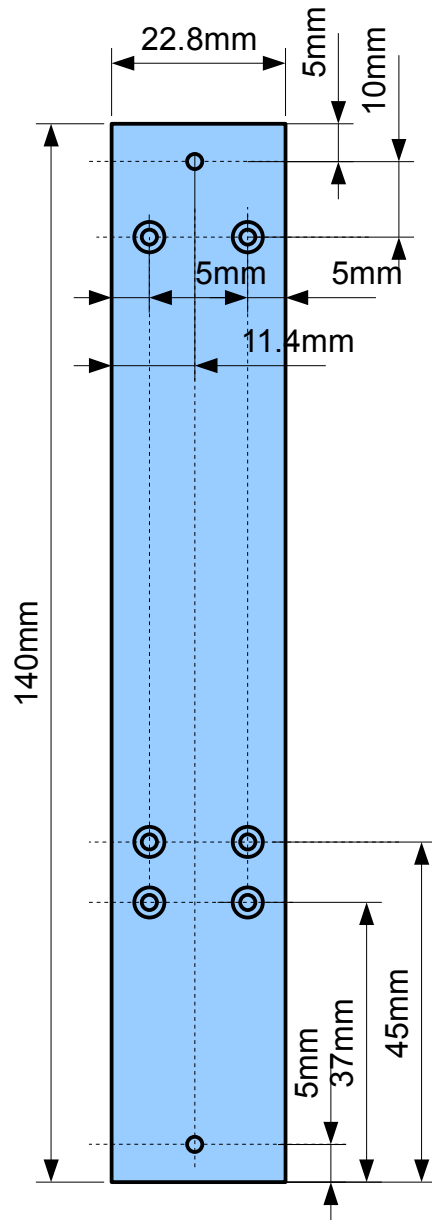
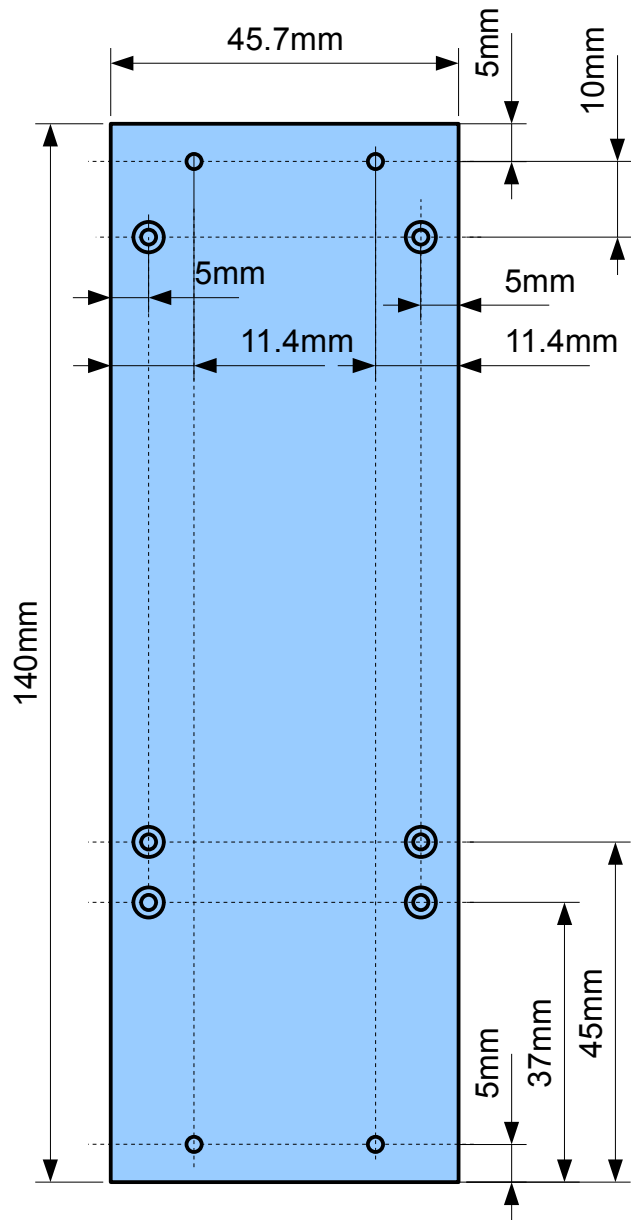


Overview



$$9 \times 2.54 \text{mm} = 22.86 \text{mm}$$
$$22.86 \text{mm} \times 4 + 3 \times 2.54 \text{mm} = 99.06 \text{mm}$$

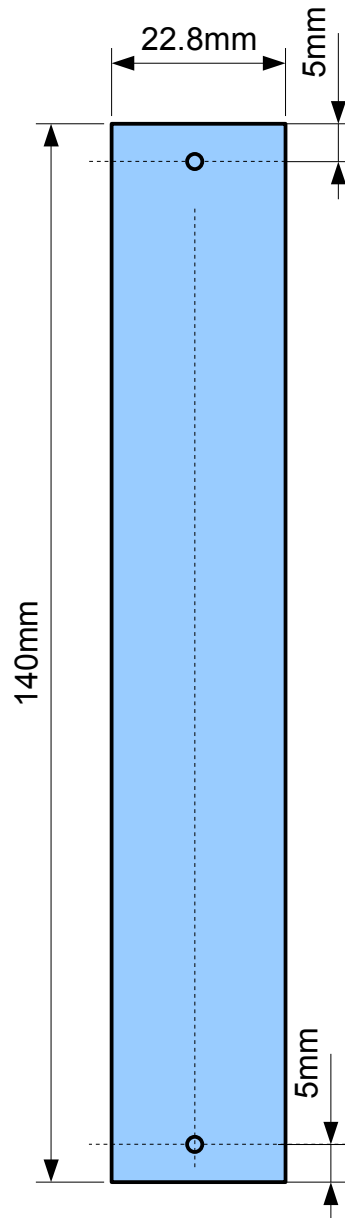
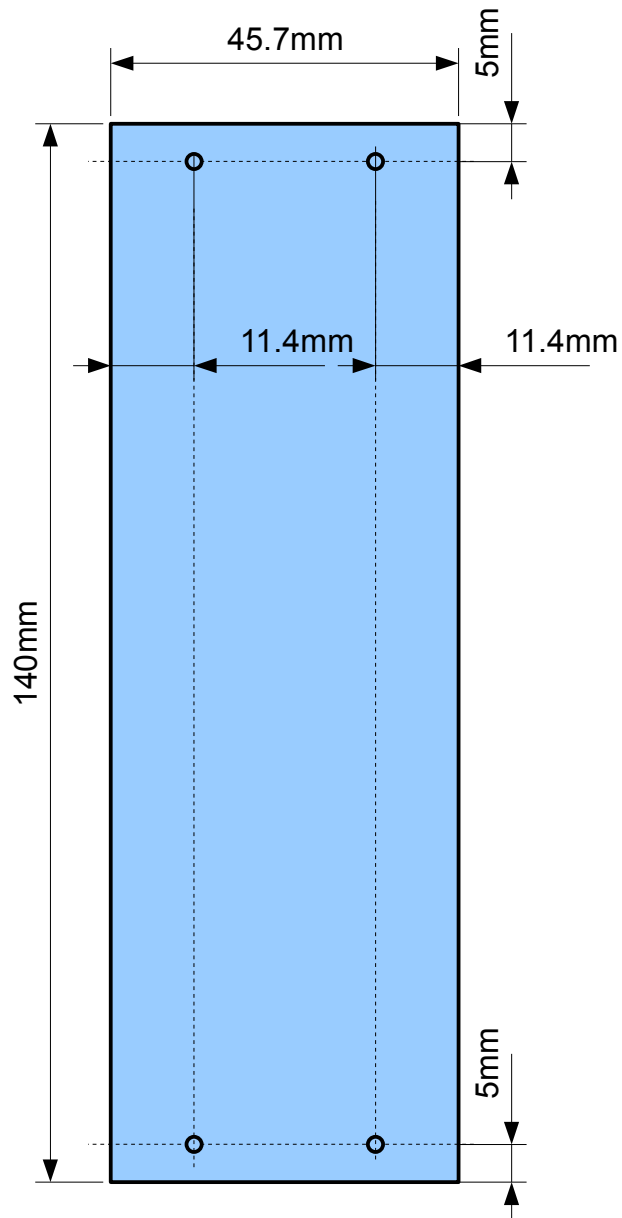




PCB brackets

Thickness 3

45 for with metal shield, 37 without, metal shield to be simplified (harmonized since it was developed before case)

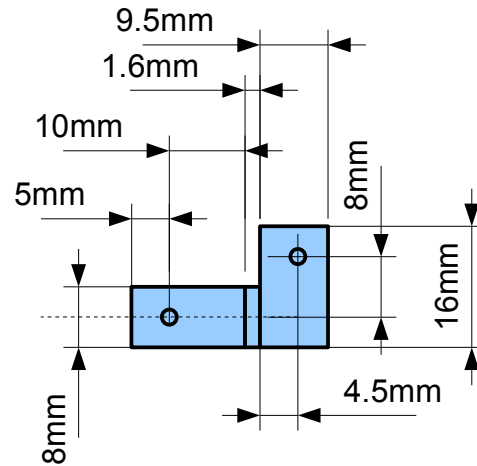


PCB bracket cover

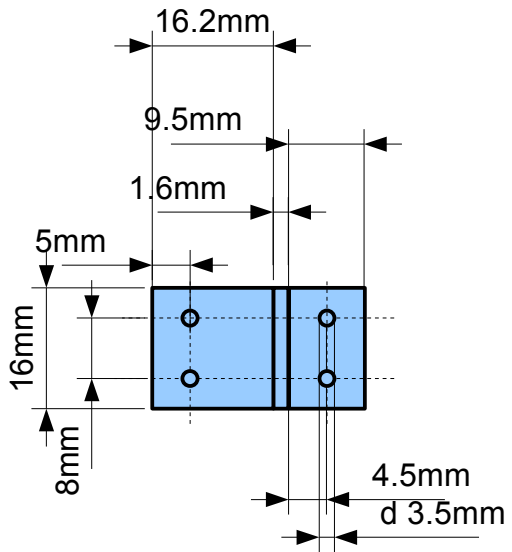
Thickness 3

45 for with metal shield, 37 without, metal shield to be simplified (harmonized since it was developed before case)

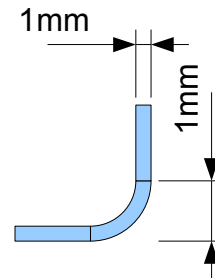
PCB bracket holders

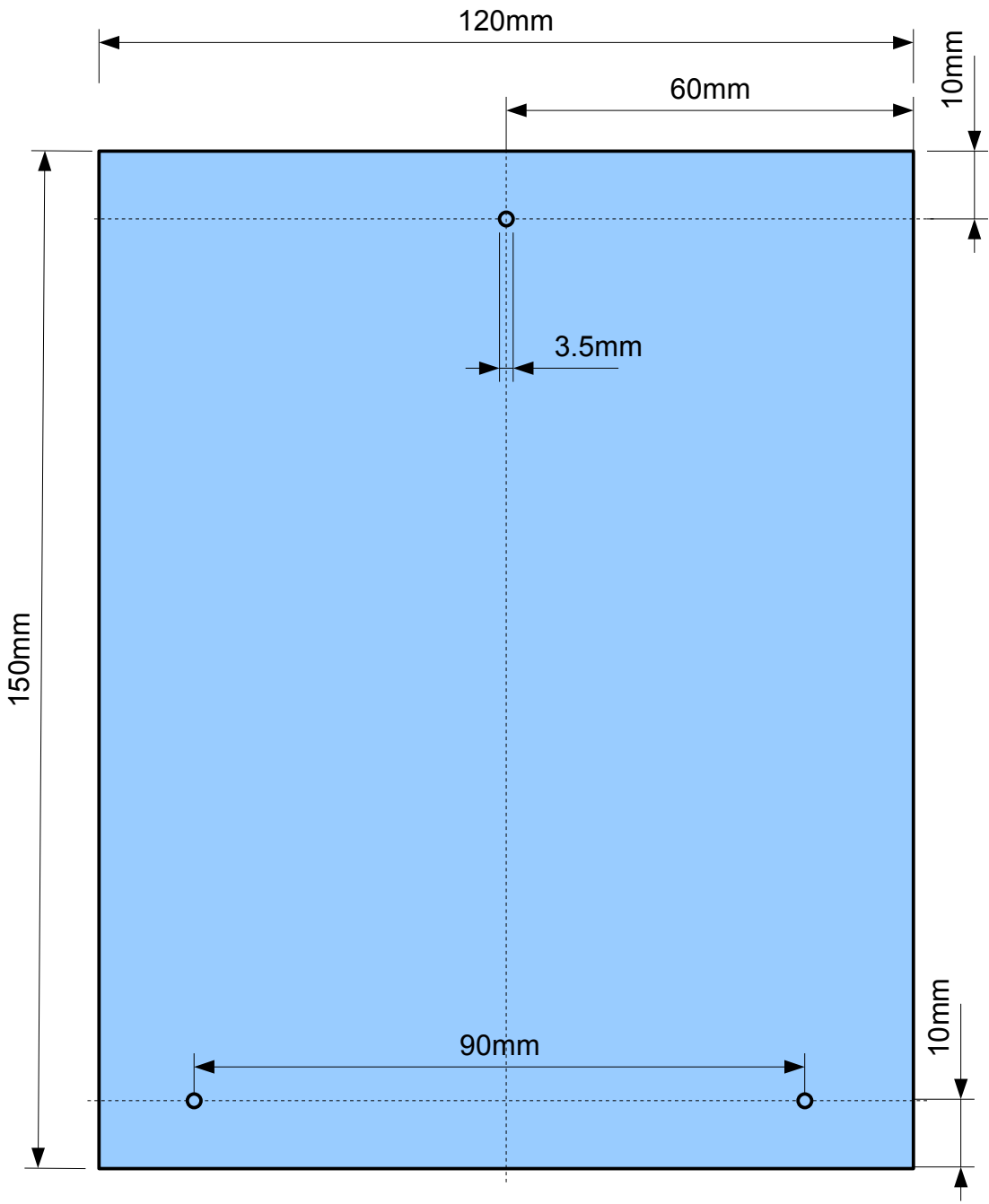


Einmal nach oben gebogen und einmal nach unten



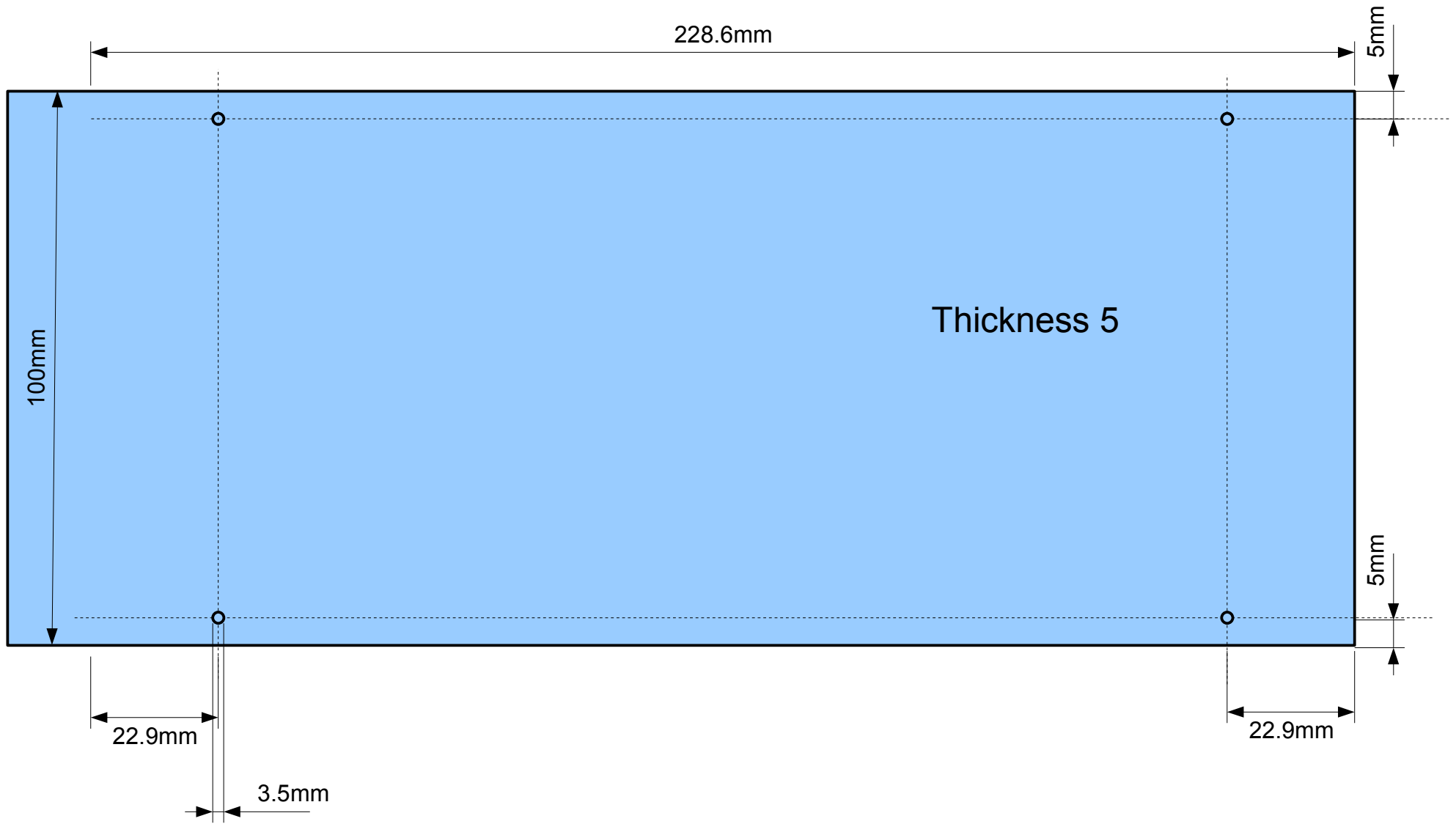
$$U/4 = r \cdot \pi/2 = 1\text{mm} \cdot \pi/2 \sim 1.6\text{mm}$$





Box wall

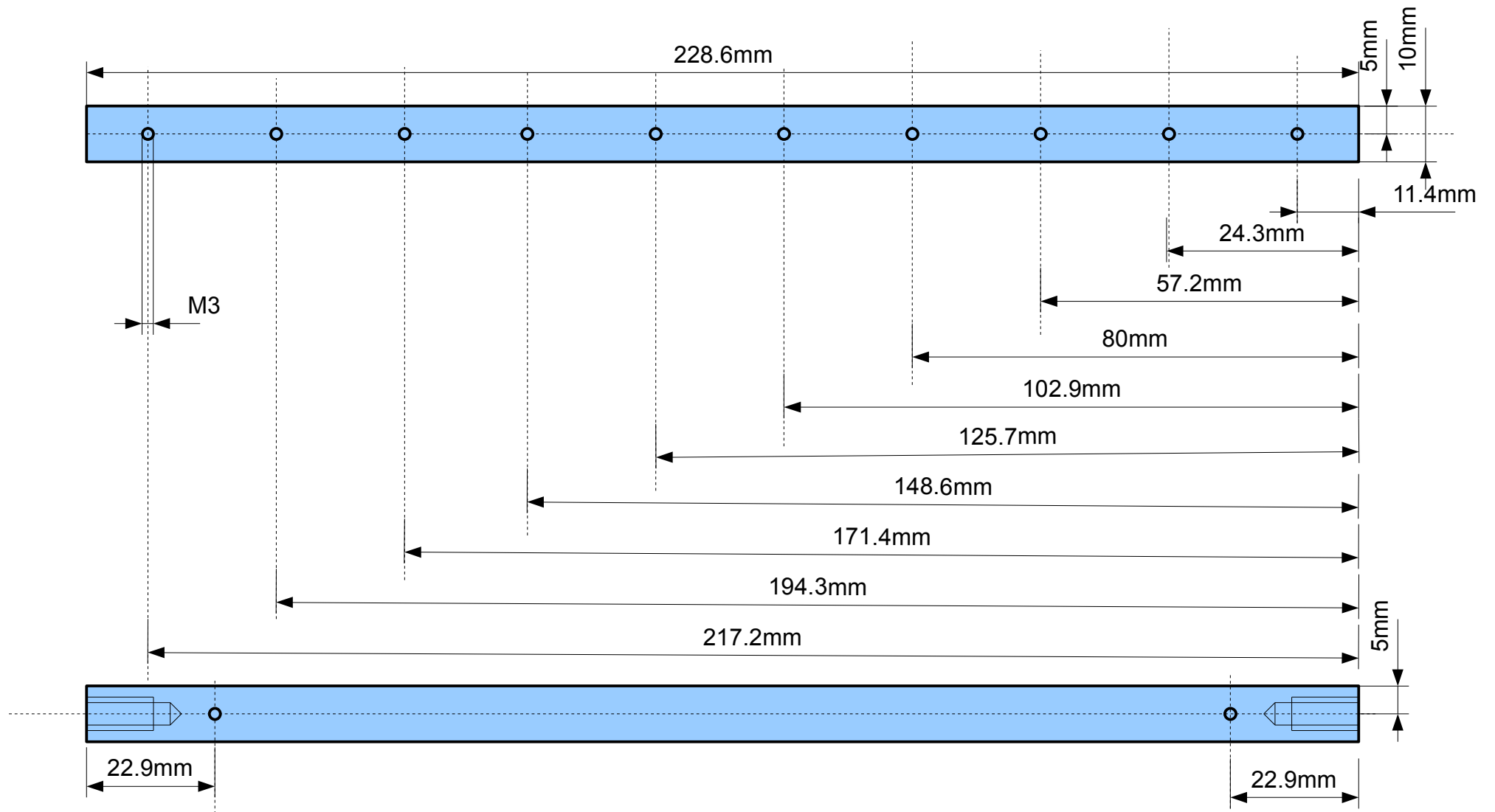
Thickness 5



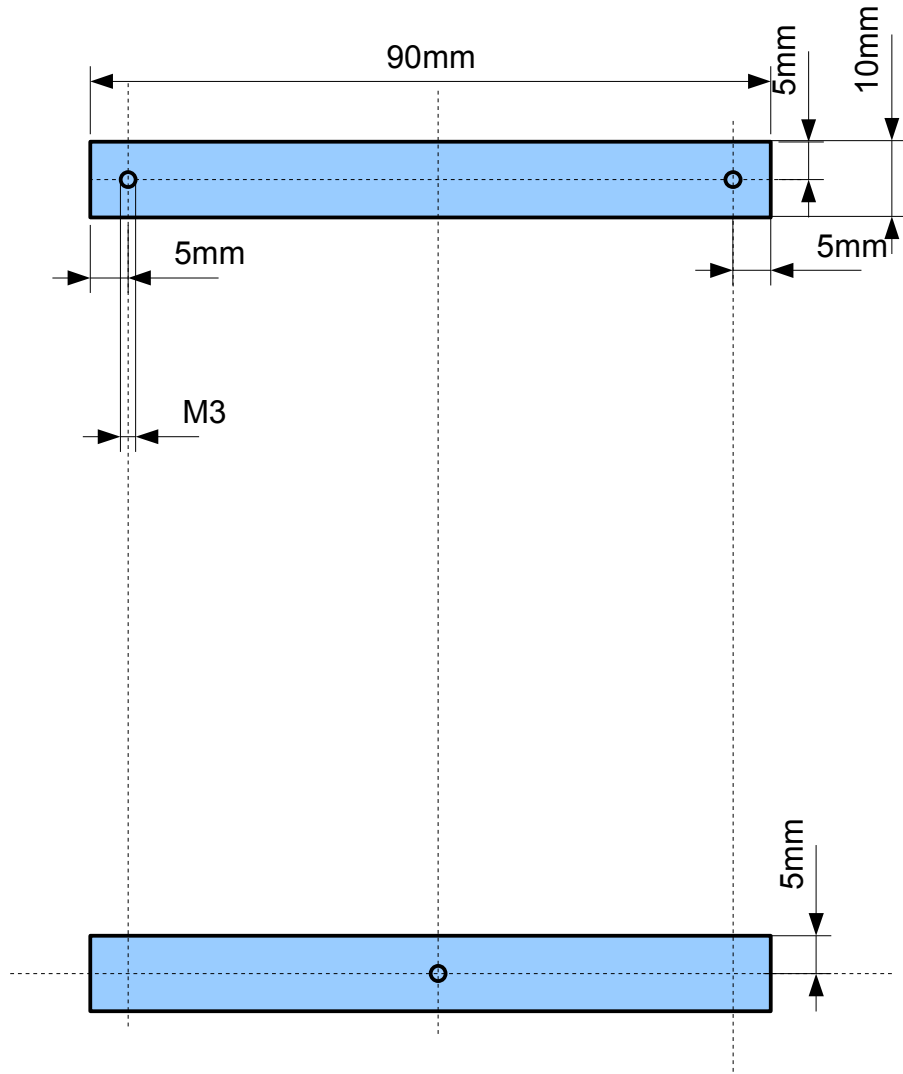
Box Bottom



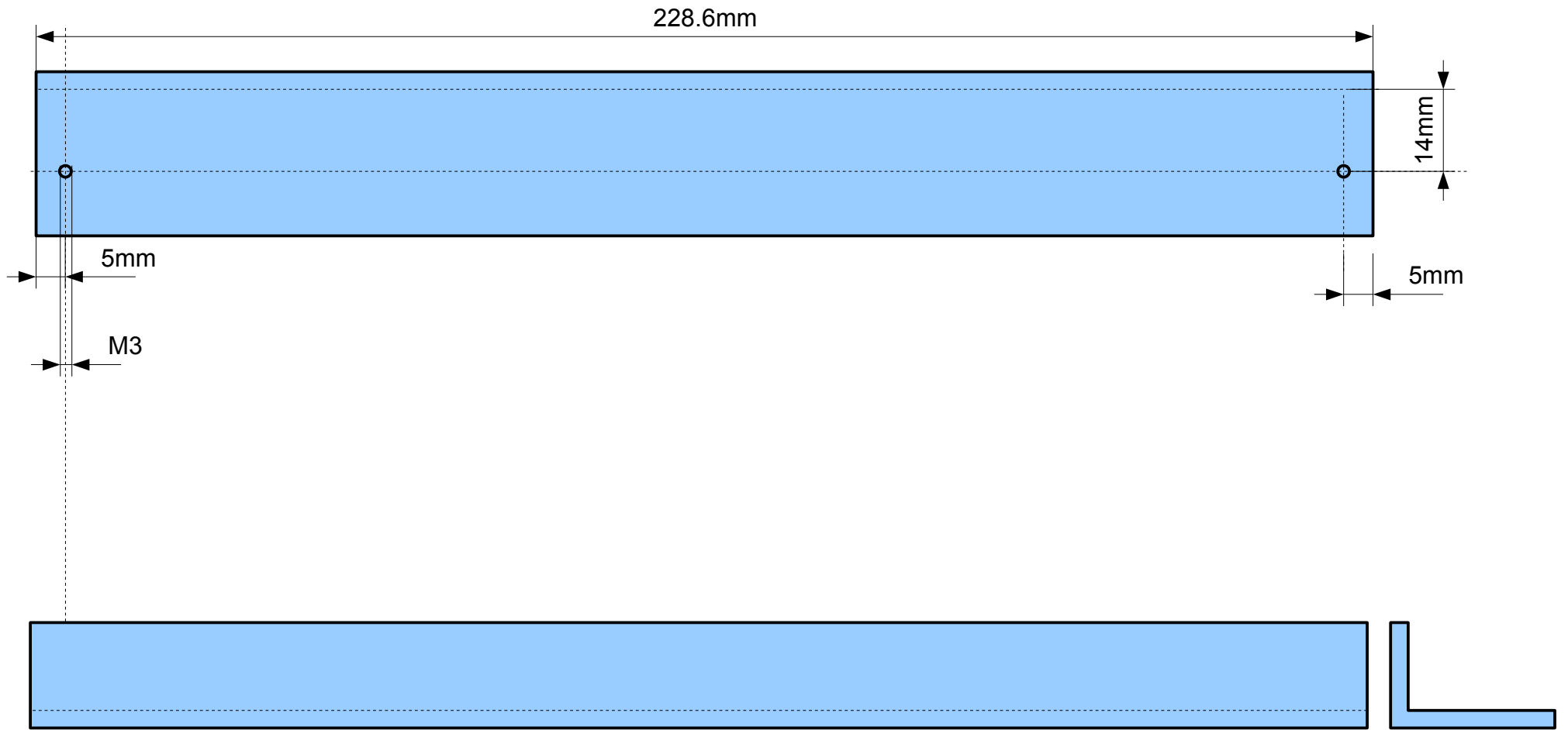
Box Top



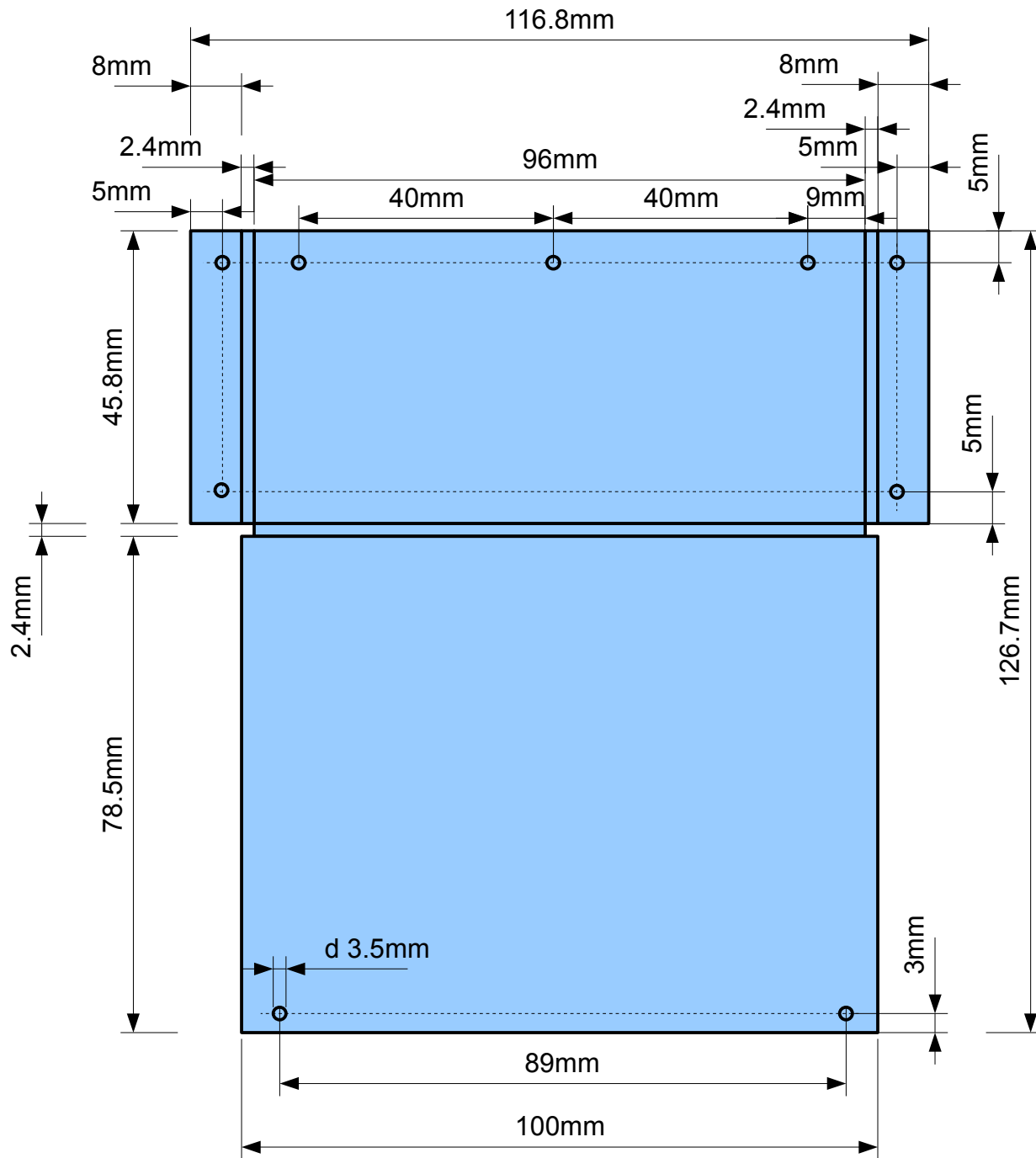
Box PCB holder



Box Top holder

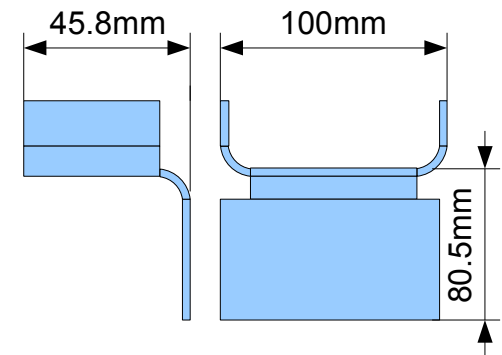
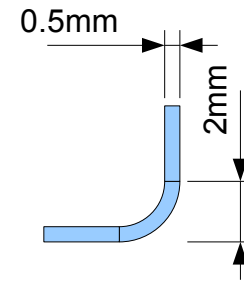


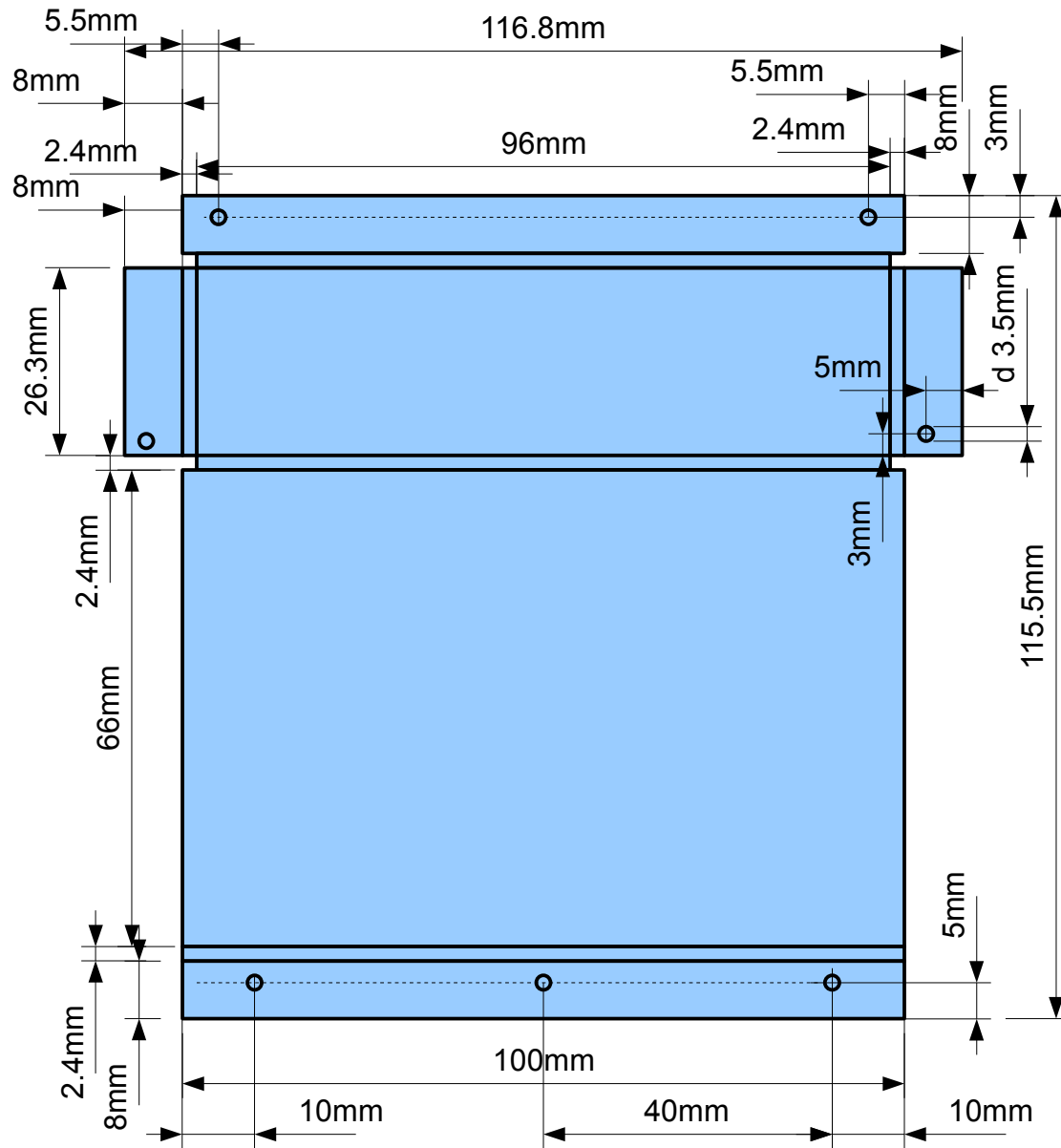
Box edge



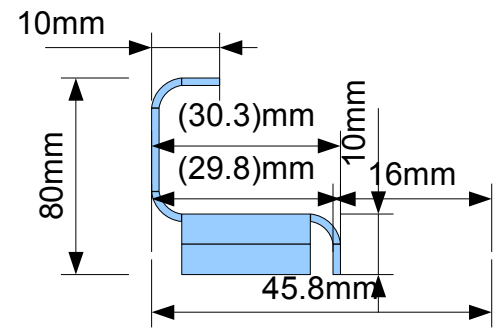
Shield top

$$U/4 = r \cdot \pi/2 = 1,5\text{mm} \cdot \pi/2 \sim 2.4\text{mm}$$

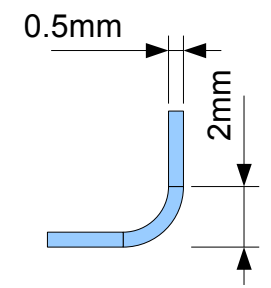




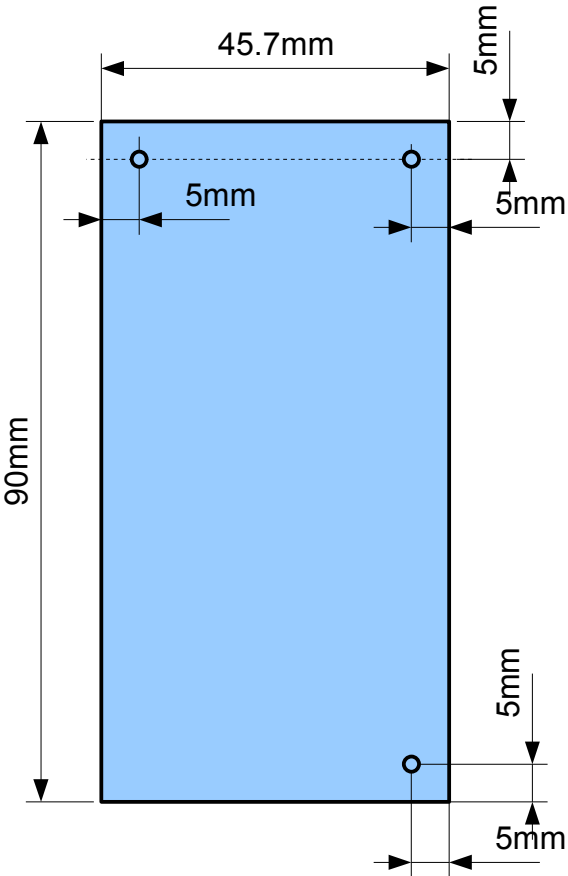
Shield bottom



$$U/4 = r \cdot \pi / 2 = 1,5\text{mm} \cdot \pi / 2 \sim 2.4\text{mm}$$



Shield front/back



Thickness 0.5